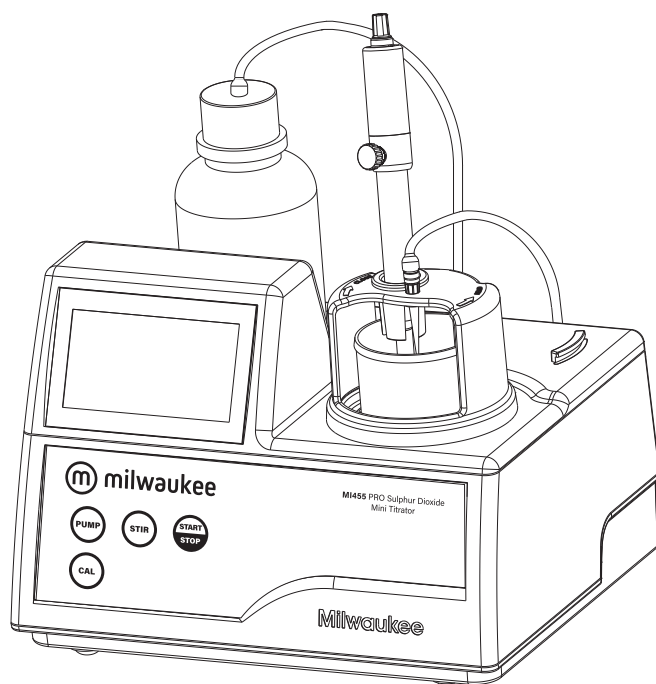


# INSTRUCTION MANUAL

## MI455 PRO

Free & Total Sulphur Dioxide  
Mini Titrator for Wine Analysis





**THANK YOU for choosing Milwaukee Instruments!**

**This instruction manual will provide you the necessary information for correct use of the meter.**

*All rights are reserved. Reproduction in whole or in part is prohibited without the written consent of the copyright owner, Milwaukee Instruments Inc., Rocky Mount, NC 27804 USA.*

---

## TABLE OF CONTENTS

1. FUNCTIONAL DESCRIPTION .....	4
2. GENERAL DESCRIPTION .....	6
3. PRINCIPLE OF OPERATION.....	8
4. SPECIFICATIONS .....	8
5. STARTUP .....	9
6. GUIDE TO DISPLAY CODES.....	10
7. GENERAL TIPS FOR AN ACCURATE MEASUREMENT.....	12
8. PUMP CALIBRATION PROCEDURE.....	13
9. FREE SO <sub>2</sub> MEASUREMENT PROCEDURE .....	15
10. TOTAL SO <sub>2</sub> MEASUREMENT PROCEDURE .....	17
11. PUMP TUBE REPLACEMENT.....	19
12. FUSE REPLACEMENT.....	20
13. ELECTRODE CONDITIONING & MAINTENANCE.....	21
14. ACCESSORIES.....	23
CERTIFICATION.....	24
RECOMMENDATION .....	24
WARRANTY.....	25

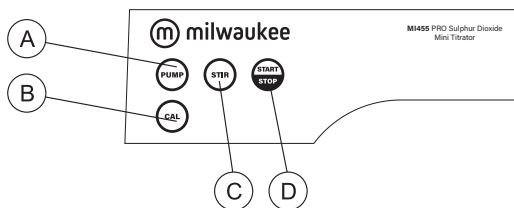
## 1. FUNCTIONAL DESCRIPTION

### Display



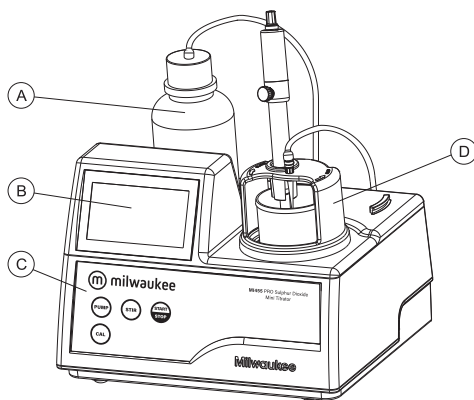
- A. HOURGLASS ICON
- B. STIRRER ACTIVE TAGS
- C. ERROR MESSAGE
- D. MEASURE STATUS
- E. CALIBRATION MODE INDICATOR
- F. MAIN DISPLAY
- G. MEASUREMENT UNIT
- H. TIMER MODE INDICATOR
- I. SECONDARY DISPLAY

### Keypad



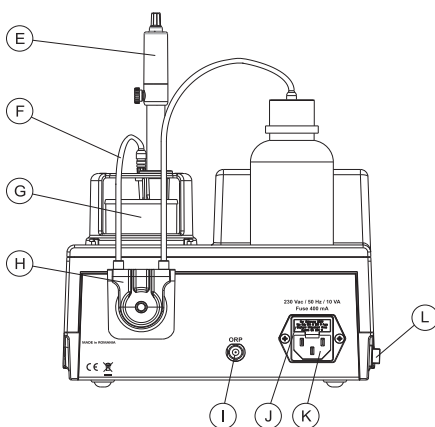
- A. PUMP - to start/stop the pump
- B. CAL - to enter pump calibration mode
- C. STIR - to start/stop the stirrer while in measurement or purging mode
- D. START STOP - to start/stop titration or pump calibration

## Front Panel



- |                                 |                     |
|---------------------------------|---------------------|
| A. TITRANT BOTTLE               | C. KEYPAD           |
| B. LIQUID CRYSTAL DISPLAY (LCD) | D. ELECTRODE HOLDER |

## Rear Panel



- |                          |                            |
|--------------------------|----------------------------|
| E. ORP ELECTRODE         | I. BNC ELECTRODE CONNECTOR |
| F. PERISTALTIC PUMP TUBE | J. FUSE                    |
| G. BEAKER                | K. POWER CABLE CONNECTOR   |
| H. PERISTALTIC PUMP      | L. POWER SWITCH            |

## 2. GENERAL DESCRIPTION

The **MI455** is a low-cost, easy to use, microprocessor-based automatic titrator. It has a simple and reliable peristaltic pump that ensure high dosing repeatability. By performing pump calibration with the provided Milwaukee standards, the instrument accuracy is assured.

The instrument comes with a pre-programmed analysis method designed for Free and Total Sulphur Dioxide measurements on wine samples. The instrument has a powerful and effective built-in algorithm to analyze the shape of the electrode response and to determine the reaction completion. This algorithm automatizes the analysis, makes all the necessary calculations and assures a simple and effective interface for the user.

By simply pressing the START STOP button, the instrument will automatically make the titration up to the equivalence point. The result is immediately displayed in convenient units, then the instrument is ready for another titration.

### Significance of Use

An important reason for adding SO<sub>2</sub> is to avoid oxidation. When there is oxygen around, SO<sub>2</sub> itself becomes oxidized before phenol compounds in the wine, and so acts as an oxygen scavenger. Also SO<sub>2</sub> suppresses the activity of enzymes that cause browning and other problems.

What is really protecting your wine is molecular SO<sub>2</sub>. When you add SO<sub>2</sub>, depending of circumstances, some of it immediately becomes bound. The relationship between the amount of added SO<sub>2</sub> and the amount of SO<sub>2</sub> remaining free is complex. It is clear, however, that it is largely governed by the total SO<sub>2</sub> content of the wine. The rate of binding decreases as the free SO<sub>2</sub> concentration increases. The exact relationship between free and bound (total - free) SO<sub>2</sub> will vary from wine to wine.

Below 30-60 ppm, 33% to 50% of SO<sub>2</sub> addition becomes bounded. What remains is called "free" and it is divided in two parts. The larger, and relatively ineffective free part is "bisulphite" (HSO<sub>3</sub><sup>-</sup>). The smaller part of the free is the active molecular SO<sub>2</sub>. The amount of molecular SO<sub>2</sub> in your wine depends both on the level of free SO<sub>2</sub> present as well as pH. For instance, at pH 3.2, the amount of free SO<sub>2</sub> for 0.8 ppm molecular SO<sub>2</sub> is 22 ppm. At pH 3.5, you will need 43 ppm free - essentially double.

Free SO<sub>2</sub> concentration (ppm) for 0.8 ppm molecular SO<sub>2</sub>:

pH	3.0	3.1	3.2	3.3	3.4	3.5	3.6	3.7	3.8	3.9
Free SO <sub>2</sub>	14	18	22	28	35	44	55	69	87	109

In most situations, 0.8 ppm molecular SO<sub>2</sub> during bulk storage and at bottling will provide you with adequate protection from oxidation and bacterial action. This includes prevention of malolactic bacteria as well.

It is important to remember that the amount of free SO<sub>2</sub> in the wine depends on three things: how much is added, how much was present before the addition and how much of your addition promptly becomes bound.

The level at which molecular SO<sub>2</sub> can be detected by the human senses is about 2.0 ppm. This is also the level which is needed for maximum protection of your wine. This is particularly true in the case of sweet, and most notably, botrytised wines.

The Milwaukee **MI455** offers the possibility to test free or total SO<sub>2</sub> in all the wines including the red ones, that are difficult to test with manual methods because the color changes are hardly seen.

This meter is supplied with:

- Reagent set for SO<sub>2</sub> determinations
- Two 100 mL beakers
- Two 20 mL beakers
- Tubes set with cap
- ORP probe
- Stir bar
- Power cable
- One 230 mL bottle of Refill Solution
- One plastic pipette
- Instruction manual
- Warranty code

**Note:** *Save all packing material until you are sure that the instrument works correctly. Any defective item must be returned in its original packing.*

### 3. PRINCIPLE OF OPERATION

Determination of sulphur dioxide in wine samples is made by titration of the sulphur dioxide present in wine with iodate. In this procedure an excess of iodine is added to the wine sample and it is titrated with iodate.

For precise results it is very important to know the exact sample volume, titrant volume and concentration.

The peristaltic pump has a good repeatability but the dosing volume depends on many factors as the diameter of the tube or the tube stretching. To compensate for all this errors, the pump need to be calibrated. The calibration of the pump is also needed in order to have high precision of the titrations.

The calibration procedure is in fact the analysis of a known solution. By doing this, the instrument makes a differential analysis between the standard and the wine sample. The pump volumetric debit and the real concentration of the titrant is compensated. Only the sample volume has to be precisely known.

### 4. SPECIFICATIONS

Range	0 to 400 ppm SO <sub>2</sub>
Resolution	1 ppm
Accuracy	5% of reading
Method	Ripper titrimetric method
Principle	Equivalence point redox titration
Sample volume	50 mL
ORP Electrode	<b>MA924B/1</b> (included)
Pump debit	0.5 mL/min
Stirring speed	700 rpm
Environment	0 to 50 °C (32 to 122 °F) ; max 95% RH non-condensing
Power supply	<b>MI455-01:</b> 115 V/60 Hz; 10 VA <b>MI455-02:</b> 230 V/50 Hz; 10 VA
Dimensions	208 x 214 x 163 mm (8.2 x 8.4 x 6.4") (with beaker)
Weight	2200 g (77,6 oz.).



## Required Reagents

Code	Description	Quantity/test
Mi555-001	Standard (for Free & Total SO <sub>2</sub> )	50 mL
Mi555-002	Titrant (for Free & Total SO <sub>2</sub> )	
Mi555-003	Alkaline Reagent (for Total SO <sub>2</sub> )	5 mL
Mi555-004	Acid Reagent (for Total SO <sub>2</sub> )	5 mL
Mi555-005	Acid Reagent (for Free SO <sub>2</sub> )	5 mL
Mi555-006	Stabilizer (for Free & Total SO <sub>2</sub> )	1 packet

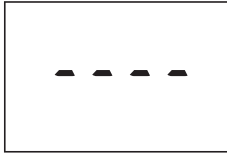
## 5. STARTUP

- Place the instrument on a flat table. Do not place the instrument on direct sun light.
- Connect the titrator to mains socket with ground connection and the correct voltage and frequency. See the label on the instrument rear for this.
- Place the peristaltic pump tube on the pump. See the Pump Tube Replacement section for the procedure.
- Remove the reagent bottle cap and place the bottle cap of the tubes set. Place the reagent bottle in the appropriate place on the titrator top.
- Connect the tubes with the peristaltic pump (inlet tube is connected with the reagent bottle, outlet tube is connected with the dosing tip).
- Turn the instrument ON using the power switch from the rear panel of the instrument and wait until it displays dashes.

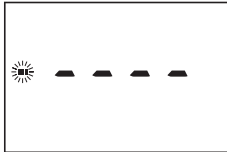
## 6. GUIDE TO DISPLAY CODES



This screen appears for a few seconds each time the instrument is turned ON.



Main screen display.

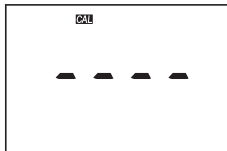


Main screen display with stirrer active.

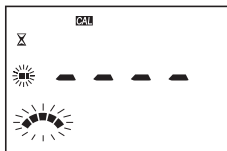


Purging mode message.

### Pump Calibration Messages



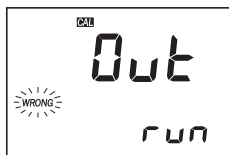
This screen appears each time the meter enters pump calibration mode. The meter is ready to start pump calibration by pressing the **START STOP** button.



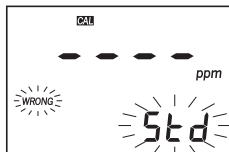
This screen appears while pump calibration is in progress. Pressing **CAL** or **START STOP** button, the minititrator returns to the main screen.



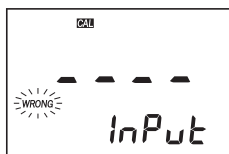
This screen appears for a few seconds before returning to the main screen, when pump calibration is done.



This error message appears when the sample concentration exceeds 400 ppm.

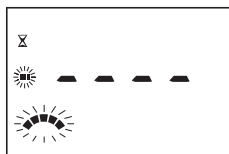


The used standard solution is wrong.



This error message appears when the input readings (mV) exceed the input limits (0÷1000mV).

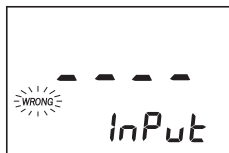
### Titration Messages



This screen appears each time a titration is running. When the **START STOP** button is pressed the minititrator returns to the main screen.



The titration result, expressed as concentration of sulphur dioxide in ppm (mg/L), is displayed at the end of the titration process. Press the **START STOP** button to return to the main screen.



This error message appears when the input reading exceeds the input limits (0÷1000mV).



This screen appears when the sample concentration exceeds 400 ppm.

## 7. GENERAL TIPS FOR AN ACCURATE MEASUREMENT

The instructions listed below should be carefully followed during testing to ensure best accuracy.

- Purge the peristaltic pump to have fresh titrant when starting a new analysis or calibration.
- Calibrate the peristaltic pump before performing an analysis.
- Analyze the wine immediately after the sample is obtained.

## 8. PUMP CALIBRATION PROCEDURE

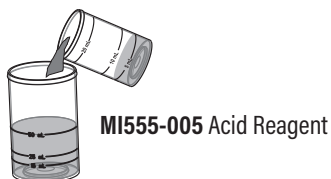
**Warning:** The calibration of the pump must be performed each time the pump tube, the reagent bottle or the pH electrode is changed. It is recommended to perform the pump calibration before each set of measurements.

- Using a clean pipette, fill the 100 mL beaker up to the 50 mL mark with **MI555-001** Standard.

**Note:** Failure to use clean pipettes will result in erroneous readings.



- Place the stir bar in the beaker and put the beaker in the minititrator top.
- Fill the 20 mL beaker up to the 5 mL mark with the **MI555-005** Acid Reagent and add the content to the 100 mL beaker.

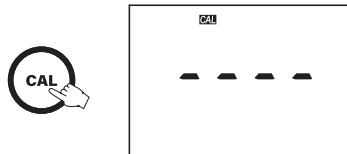


- Place the beaker into the beaker holder.
- Place the probe holder on the top of the beaker and secure by turning clockwise.
- Open refill cap on the ORP electrode and immerse the electrode approximately 2 cm (0.8") into the sample to be tested. Do not touch stir bar with the tip of the electrode.
- Ensure there is titrant in the dosing tip. If not, hold the dosing tip over an empty container and press **PUMP** for a few seconds until the titrant is in the dosing tip.

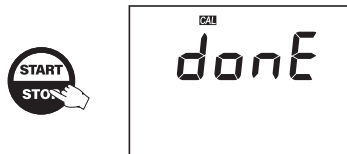
- Add the contents of one powder packet of **MI555-006** Stabilizer into the beaker.



- Press **CAL** button. The meter enters in pump calibration mode.



- Press **START STOP** in order to start the system calibration.
- At the end of the calibration, **DONE** appears for a few seconds and the meter returns to the measurement mode.



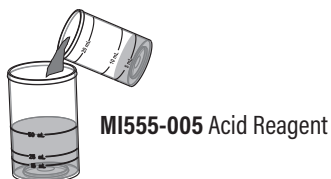
## 9. FREE SO<sub>2</sub> MEASUREMENT PROCEDURE

- Using a clean pipette, fill the 100 mL beaker up to 50 mL mark with the wine sample.

**Note:** *It is important to be accurate in your measurements of Wine sample. Pipettes are recommended.*



- Place the stir bar in the beaker and put the beaker in the minititrator top.
- Fill the 20 mL beaker up to the 5 mL mark with the **Mi555-005** Acid Reagent and add the content to the 100 mL beaker.



- Place the probe holder on the top of the beaker and secure by turning clockwise.
- Open refill cap on the ORP electrode and immerse the electrode approximately 2 cm (0.8") into the sample to be tested. Do not touch stir bar with the tip of the electrode.
- Insert dosing tip into holder. Ensure there is titrant in the dosing tip. If not, hold the dosing tip over an empty container and press **PUMP** for a few seconds until the titrant is in the dosing tip. The tip should be below the pump to ensure gravity flow.

**Note:** *Be aware of any air bubbles in the tube it could effect the results.*

- Add the contents of one powder packet of **Mi555-006** Stabilizer into the beaker.



- Press **START STOP** in order to start titration. The display will show "----" during titration, along with stirrer and pump tags blinking on the LCD.
- At the end of the titration, the Sulphur Dioxide concentration is displayed in mg/L (ppm).





## 10. TOTAL SO<sub>2</sub> MEASUREMENT PROCEDURE

- Fill the 100 mL beaker up to 50 mL mark with the wine sample.

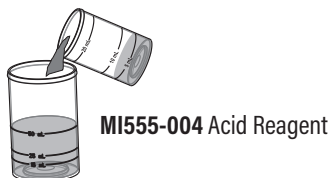
*Note: It is important to be accurate in your measurement of wine sample. Pipettes are recommended.*



- Place the stir bar in the beaker and put the beaker in the minititrator top.
- Fill the 20 mL beaker up to the 5 mL mark with the **Mi555-003** Alkaline Reagent and add the content to the 100 mL beaker.



- Swirl the beaker and wait for 15 minutes.
- Fill the 20 mL beaker up to the 5 mL mark with the **Mi555-004** Acid Reagent and add the content to the 100 mL beaker.

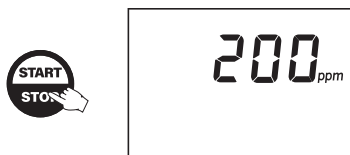


- Open refill cap on the ORP electrode and immerse the electrode approximately 2 cm (0.8") into the sample to be tested. Do not touch stir bar with the tip of the electrode.
- Insert dosing tip into holder. Ensure there is titrant in the dosing tip. If not, hold the dosing tip over an empty container and press **PUMP** for a few seconds until the titrant is in the dosing tip. The tip should be below the pump to ensure gravity flow and minimize the chance of air bubbles in the tube.

- Add the content of one powder packet of **Mi555-006** Stabilizer into the beaker.



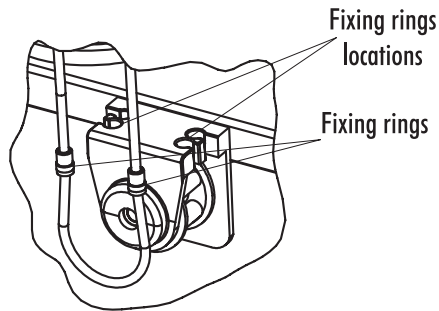
- Press **START STOP** button to start titration. The display will show "----" during titration, along with stirrer and pump tags blinking on the LCD.
- At the end of the titration, the Sulphur Dioxide concentration is displayed in mg/L (ppm).



## 11. PUMP TUBE REPLACEMENT

To remove the tube of the peristaltic pump follow next steps:

- Detach the old tube system from the reagent bottle.
- Grasp one fixing ring of the peristaltic pump tube.
- Pull the tube until it's taken out from its location.
- Remove the other side of the tube.



To mount the new peristaltic pump tube follow next steps:

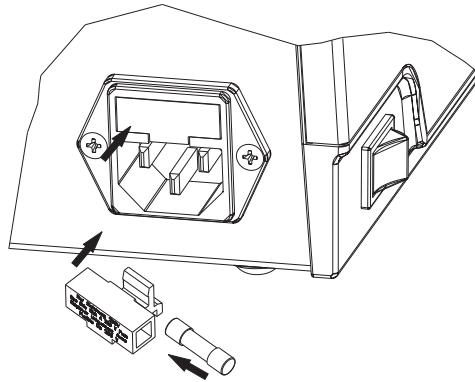
- Position one peristaltic pump fixing ring on its location.
- Stretch the tube over the peristaltic pump cylinders.
- Fix the second pump fixing ring on its location.
- Attach the tube to the reagent bottle.

**Note:** Purge the peristaltic pump until drops of reagent appears on the dosing tip by pressing the PUMP button.

## 12. FUSE REPLACEMENT

To change the fuse follow next steps:

- Disconnect the power cord from the rear panel of the instrument.
- Pull out the fuse holder located near the power cord connector.
- Replace the fuse with a similar one.
- Push the fuse holder with the fuse in the appropriate place.



## 13. ELECTRODE CONDITIONING & MAINTENANCE

### Preparation Procedure

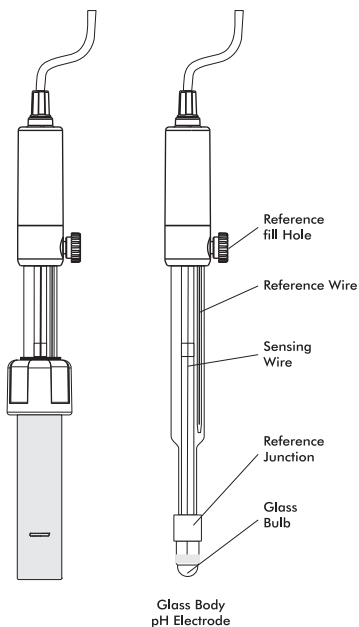
Remove the protective cap of the ORP electrode (**MA924B/1**).

Do not be alarmed if salt deposits are present. This is normal with electrodes. They will disappear when rinsed with water.

During transport, tiny bubbles of air may form inside the glass bulb affecting proper functioning of the electrode. These bubbles can be removed by "shaking down" the electrode as you would do with a glass thermometer.

If the bulb and/or junction is dry, soak the electrode in **MA9015** Storage Solution for at least one hour.

If the filling solution (electrolyte) is more than 2½ cm (1") below the fill hole, add **MA9011** 3.5M KCl Electrolyte Solution. For faster response, unscrew the fill hole screw during measurements.



## Storage Procedure

To minimize clogging and assure a quick response time, the glass bulb and the junction of the electrode should be kept moist and not allowed to dry out.

Replace the solution in the protective cap with a few drops of **MA9015** Storage Solution or, in its absence, Filling Solution (**MA9011**). Follow the Preparation Procedure before taking measurements.

***Note:** Never store the electrode in distilled or deionized water.*

## Periodic Maintenance

Inspect the electrode and the cable. The cable used for connection to the instrument must be intact and there must be no points of broken insulation on the cable or cracks on the electrode stem or bulb. Connectors must be perfectly clean and dry. If any scratches or cracks are present, replace the electrode. Rinse off any salt deposits with water.

### Probe Maintenance

- Refill the reference chamber with fresh electrolyte (**MA9011**).
- Allow the electrode to stand upright for 1 hour. Follow the Storage Procedure above.

## Cleaning Procedure

- Wine deposits: Soak in Milwaukee **MA9016** cleaning solution for 1 hour
- Wine stains: Soak in Milwaukee **MA9016** cleaning solution for 1 hour

***IMPORTANT:** After performing any of the cleaning procedures, rinse the electrode thoroughly with distilled water, refill the reference chamber with fresh electrolyte and soak the electrode in MA9015 Storage Solution for at least 1 hour before taking measurements.*

## 14. ACCESSORIES

### Reagent Sets

<b>MA9011</b>	Electrode filling solution (230 mL)
<b>MA9015</b>	Electrode storage solution (230 mL)
<b>MA9016</b>	Cleaning solution (230 mL)
<b>MI555-001</b>	Calibration standard (500 mL)
<b>MI555-002</b>	Titrant solution (110 mL)
<b>MI555-003</b>	Alkaline reagent (210 mL)
<b>MI555-004</b>	Acid reagent for Total SO <sub>2</sub> determination (210 mL)
<b>MI555-005</b>	Acid reagent for Free SO <sub>2</sub> determination (210 mL)
<b>MI555-006</b>	Stabilizer reagent (40 pcs.)

### Other Accessories

<b>MA924B/1</b>	ORP probe with 1 m cable
<b>MI0009</b>	Stir bar (5 pcs.)
<b>MI0010</b>	Titration tube (2 pcs.)
<b>MI0020</b>	Beaker 100 mL (4 pcs.)
<b>MI0021</b>	Beaker 20 mL (4 pcs.)

## CERTIFICATION

Milwaukee Instruments conform to the CE European Directives.



Disposal of Electrical & Electronic Equipment. Do not treat this product as household waste. Hand it over to the appropriate collection point for the recycling of electrical and electronic equipment.



Please note: proper product disposal prevents potential negative consequences for human health and the environment. For detailed information, contact your local household waste disposal service or go to [www.milwaukeeinstruments.com](http://www.milwaukeeinstruments.com).

## RECOMMENDATION

Before using this product, make sure it is entirely suitable for your specific application and for the environment in which it is used. Any modification introduced by the user to the supplied equipment may compromise the meter's performance. For your and the meter's safety do not use or store the meter in hazardous environment. To avoid damage or burn, do not perform any measurement in microwave ovens.



## **WARRANTY**

This instrument is warranted against defects in materials and manufacturing for a period of 2 years from the date of purchase. Electrodes and Probes are warranted for 6 months. This warranty is limited to repair or free of charge replacement if the instrument cannot be repaired. Damage due to accidents, misuse, tampering or lack of prescribed maintenance is not covered by warranty. If service is required, contact your local Milwaukee Instruments Technical Service. If the repair is not covered by the warranty, you will be notified of the charges incurred. When shipping any meter, make sure it is properly packaged for complete protection.



*Milwaukee Instruments reserves the right to make improvements in design, construction and appearance of its products without advance notice.*

**THANK YOU FOR CHOOSING**



Sales and Technical Service Contacts:

Milwaukee Electronics Kft.  
Alsó-kikötő sor 11C  
H-6726 Szeged - HUNGARY  
tel: +36 62 428 050  
fax: +36 62 428 051  
[www.milwaukeeinst.com](http://www.milwaukeeinst.com)  
e-mail: [sales@milwaukeeinst.com](mailto:sales@milwaukeeinst.com)

Milwaukee Instruments, Inc.  
2950 Business Park Drive  
Rocky Mount, NC 27804 USA  
tel: +1 (252) 443-3630  
fax: +1 (252) 443-1937  
[www.milwaukeeinstruments.com](http://www.milwaukeeinstruments.com)  
e-mail: [sales@milwaukeeinstruments.com](mailto:sales@milwaukeeinstruments.com)