

-10°C ~-25°C Biomedical Freezer

Stable Performance • High Quality



BL-YW225A/ BL-YW358A / BL-YW508A

Refrigeration System

- The environmentally friendly Freon-free refrigerant and high-efficiency enclosed compressor supplied by a famous brand can ensure energy saving and low noise.
- The condenser installed on the bottom ensures temperature stability and system reliability.

Temperature Control System

- The high-precision computerized temperature control system ensures an adjustable temperature within a range from -10 to -25°C inside the cabinet.

Security System

- The well-developed audible & visual alarm system (sensor failure alarm, high temperature/low temperature alarm, etc.) makes it safer for storage;
- The turn-on delay and stopping interval protection function can ensure reliability in running.

Human-oriented Design

- The airbag-type built-in door gasket is dustproof and easy to clean.





Temperature Control System

- The digital temperature display can indicate operating status clearly;
- The high-precision microcomputer temperature control system enables users to set the temperature inside the cabinet within a range from -10°C to -25°C.



Refrigeration System

The environmentally friendly Freon-free refrigerant and high-efficiency enclosed compressor supplied by a famous brand can ensure energy saving and low noise. The condenser installed on the bottom ensures temperature stability and system reliability;

The CFC-free polyurethane foam technology and the thicker insulating layer can improve the effect of thermal insulation.



Security System

- The well-developed audible & visual alarm system makes it safer for storage;
- The turn-on delay and stopping interval protection function can ensure reliability in running;



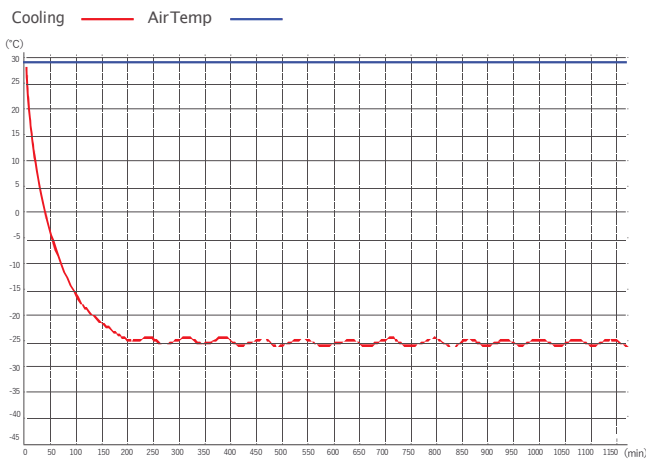
Human-oriented

- The design of upward door opening and the balancing door hinge facilitate door opening;
- The built-in shelves are convenient for placement of things.

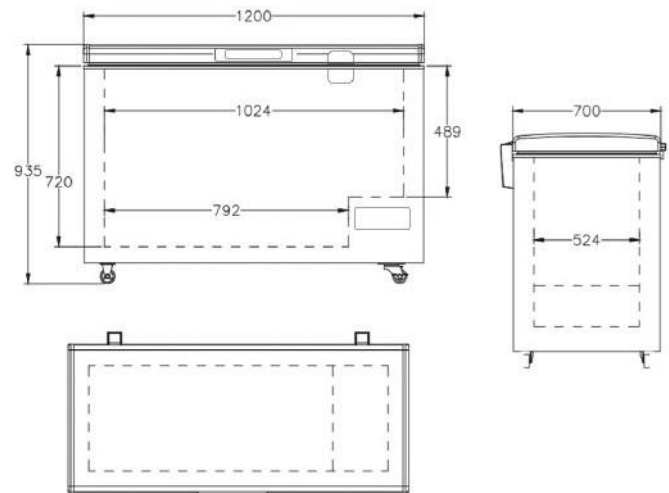
✓ Scope of Application

Suitable for freezing of ice bars and storage of various things needing refrigerated storage such as blood plasma, reagent, etc. Suitable for use in hospitals, clinics, health and disease prevention systems, blood banks, laboratories in colleges & universities, the frozen food industry and catering industry, etc.

🔗 Performance Data/ Cooling Curve



📏 External Dimensions (BL-YW358A)



-10°C ~-25°C Biomedical Freezer			
Model	BL-YW226A	BL-YW358A	BL-YW508A
Cabinet Type	Chest	Chest	Chest
Capacity(L)	226	358	508
Internal Size(W*D*H)mm	954*410*703	1220*545*673	1504*545*673
External Size(W*D*H)mm	1115*610*890	1350*785*880	1650*735*880
Package Size(W*D*H)mm	1180*665*1010	1440*803*1074	1775*852*1061
NW/GW(Kgs)	50/55	59/69	74/95
Performance			
Temperature Range	-10~-25°C	-10~-25°C	-10~-25°C
Ambient Temperature	16-32°C	16-32°C	16-32°C
Cooling Performance	-25°C	-25°C	-25°C
Climate Class	N	N	N
Controller	Microprocessor	Microprocessor	Microprocessor
Display	Digital display	Digital display	Digital display
Refrigeration			
Compressor	1pc	1pc	1pc
Cooling Method	Direct cooling	Direct cooling	Direct cooling
Defrost Mode	Manual	Manual	Manual
Refrigerant	R290	R290	R134a
Insulation Thickness(mm)	70	70	70
Construction			
External Material	Powder coated material	Powder coated material	Powder coated material
Inner Material	Embossed aluminum sheet	Powder coated material	Powder coated material
Coated Hanging Basket	1	2	2
Door Lock with Key	Yes	Yes	Yes
Casters	4 (2 casters with brake)	4 (2 casters with brake)	6 (2 casters with brake)
Alarm			
Temperature	High/Low temperature	High/Low temperature	High/Low temperature
System	Sensor failure	Sensor failure	Sensor failure
Electrical			
Power Supply(V/HZ)	220/50	220/50	220/50
Rated Power(W)	109	104	220
Input Power(W)	150	121	320
Power Consumption(KWh/24h)	1.06	1.5	2.11
Rated Current(A)	0.64	0.59	1.05